

S1 Compact

# Chipper Machine

Fast



Easy to clean



Variable chip size



# S1



catering equipment



S1 Compact

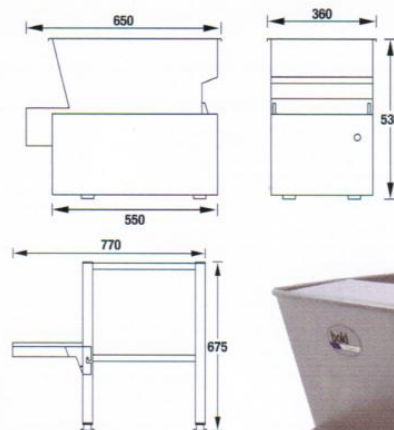
# Chipper Machine

- The S1 Compact Chipper carries on the same **Bold** tradition of quality engineering and reliability.
- Drainer, worktop or stand mounted and with its compact dimensions and big output has been designed to fit where space is at a premium.
- Stainless steel construction and unique design of cutting action ensures maximum yield - 'more chips, less bits' - producing a quality chip.
- Supplied with an extension chute to guide the chips directly into a bucket or container.
- Easy to clean, no tools required with minimum maintenance.
- Chip size can be changed in seconds or blades can be replaced individually.
- Safety interlock switches are fitted to the hopper knob and knife block to protect the operator.
- The **Bold** range of chippers and peelers are leaders in the fish frying and catering industry.

## Specification

Model	S1
Hopper Capacity	10kg
Output	25kg per min
Motor	0.25kw 0.33hp
Voltage	220/240V - 1 - 50
Electrical	13 amp wall socket
Knife Block	8 x 8 10 x 10 12 x 12 14 x 14 14 x 17 16 x 17 Alternative sizes are available on request

## Dimensions (mm)



Registered design

Manufactured in England



# bold

catering equipment

7 Carr Lane Business Park Hoylake Wirral CH47 4AZ

+44 (0) 151 632 2174 Fax +44 (0) 151 632 2770 info@boldcatering.com www.boldcatering.com